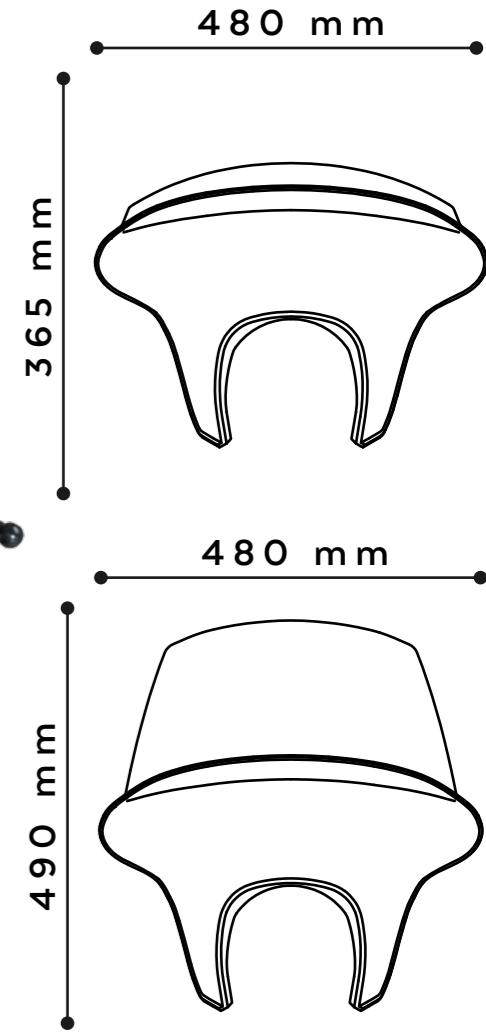


21062H +195mm / +7,67in

21061H +90mm / +3,54in



COMPARISON

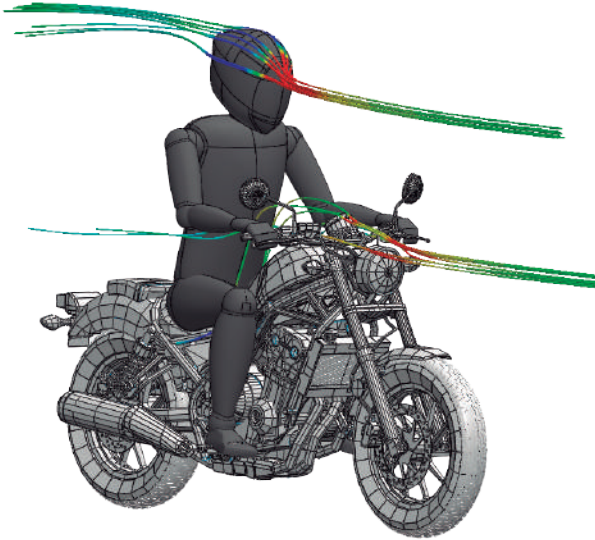
AERODYNAMIC TEST

REF. 21061

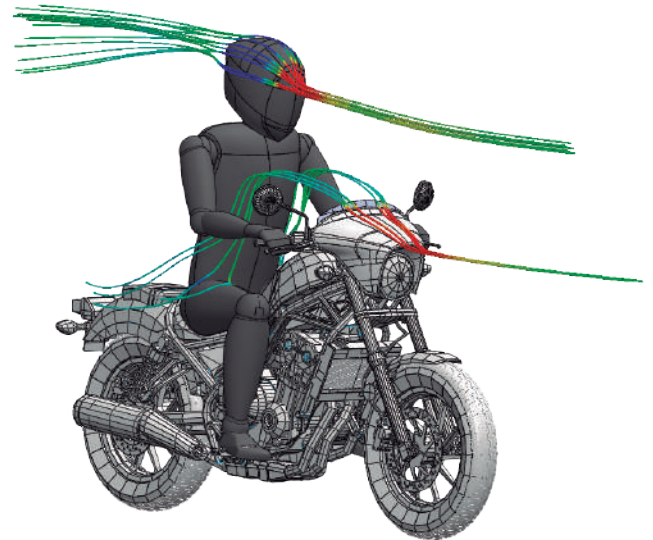
HONDA CMX 500 / 300 REBEL

Puig
Cruiser Screens

WITHOUT WINDSHIELD



BATWING SML SPORT MODEL



HELMET PROTECTION

5%

UPPER BODY PROTECTION

10%

LOW BODY PROTECTION

20%

HELMET PROTECTION

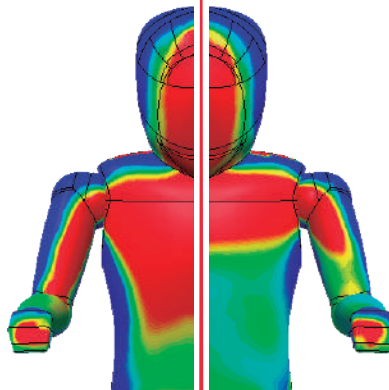
12%

UPPER BODY PROTECTION

22%

LOW BODY PROTECTION

71%



LOW PRESSURE

HIGH PRESSURE

TOTAL DISSIPATED PRESSURE WITH CUSTOM ACCES SCREEN IS EQUIVALENT TO 2,3 Kg

INCREASE WIND PROTECTION

20% WITHOUT LOSING Cx

AERODYNAMIC TEST CONDITIONS

SPEED

120 Km/h 94 mph

RIDER HEIGH

180 cm 5.9 ft

TEMPERATURE

20° 68°F

RIDER POSITION

Standard

LATERAL WIND

No

Puig
Cruiser Screens

HONDA REBEL CMX 300-500 '17- / S' 20-

M O U N T I N G I N S T R U C T I O N S

REF 21061

SEMIFAIRING BATWING SML SPORT MODEL



1 Person



20 min



EASY



ONLY FOR REBEL "S": ANTES DE INSTALAR EL PRODUCTO, DESMONTAR EL SEMI-FARO ORIGINAL BEFORE INSTALLING THE PRODUCT, TAKE APART THE OEM SEMI-FAIRING



ALLEN

Nº 3
Nº 6
Nº 8



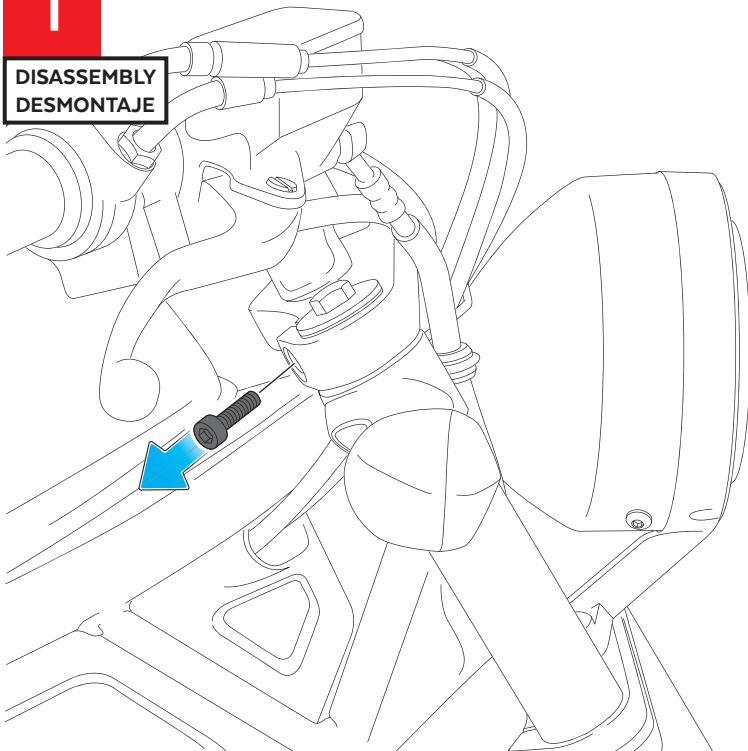
ID	PIEZA/PART	DESCRIPCIÓN	DESCRIPTION	QTY	REF
1		Semicarenado	Semifairing	1	10897J
2		Cúpula Touring	Touring screen	1	10899
3		Soporte derecho superior (SR)	Upper right support	1	SOP4P3SRBTM0002
4		Soporte superior izquierdo (SL)	Upper left support	1	SOP4P3SLBTM0002
5		Soporte inferior derecho (IR)	Lower right support	1	SOP4P3IRBTM0002
6		Soporte inferior izquierdo (IL)	Lower left support	1	SOP4P3ILBTM0002
7		Arandela de goma Ø4,5 x Ø11 x 2mm	Ø4,5 x Ø11 x 2mm rubber washer	2	ARAND-EPDM--722
8		Tornillo Allen M8x45 ISO 7380	M8x45 ISO 7380 Allen screw	2	TORNI-I7380-817
9		Casquillo Ø8x Ø14x 9	Ø8x Ø14x 9 spacer	2	CASQUI-----0100
10		Silentblock M5	M5 silentblock	4	SILENBTM5-046/1
11		Arandela nylon M5x1	M5x1 nylon washer	4	ARNV00000000245
12		Tornillo Allen M5x16 Ø11 ISO 7380	M5x16 Ø11 ISO 7380 Allen screw	6	TORNI-I7380-493
13		Tapón tornillo M5 ISO 7380	M5 ISO 7380 screw cap	4	TAPON-----85
14		Tornillo Allen M4x12 ISO7380	M4x12 ISO 7380 Allen screw	3	TORNI-I7380-800
15		Arandela nylon M4x0,5	M4x0,5 nylon washer	6	ARNV00000000311
16		Tuerca autoblocante M4	M4 nut	3	TUERCAE985-0290
17		Tapón tuerca M4	M4 cap nut	3	TAPON-----91

HONDA REBEL CMX 300-500 '17- / S' 20-

INSTRUCCIONES DE MONTAJE - MOUNTING INSTRUCTIONS - MONTAGEANLEITUNG

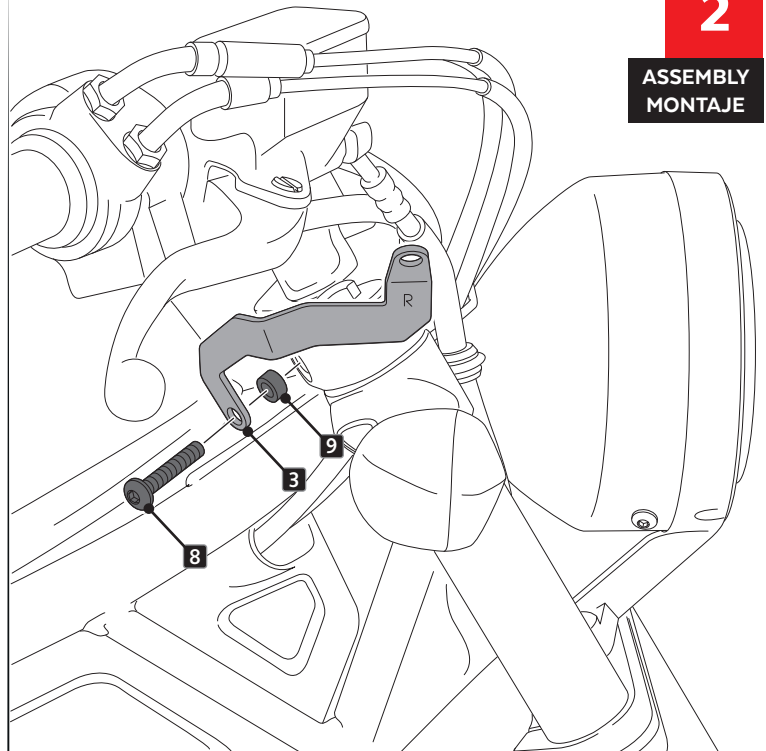
1

DISASSEMBLY
DESMONTAJE



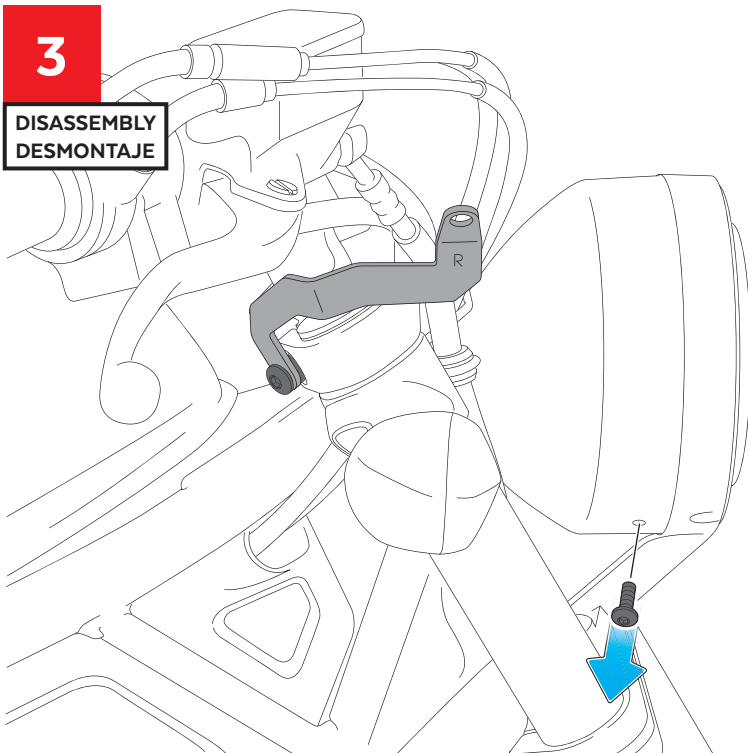
2

ASSEMBLY
MONTAJE



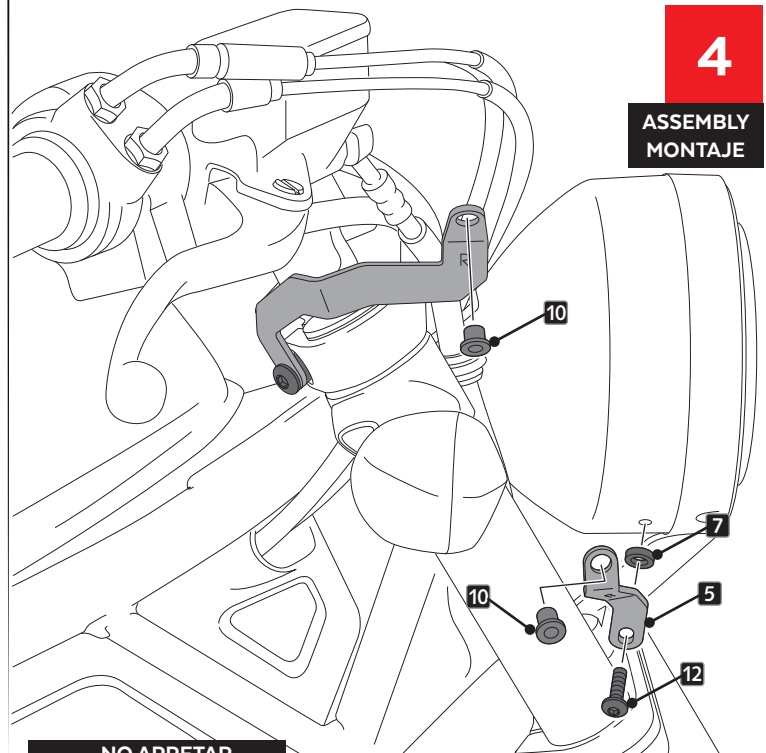
3

DISASSEMBLY
DESMONTAJE



4

ASSEMBLY
MONTAJE



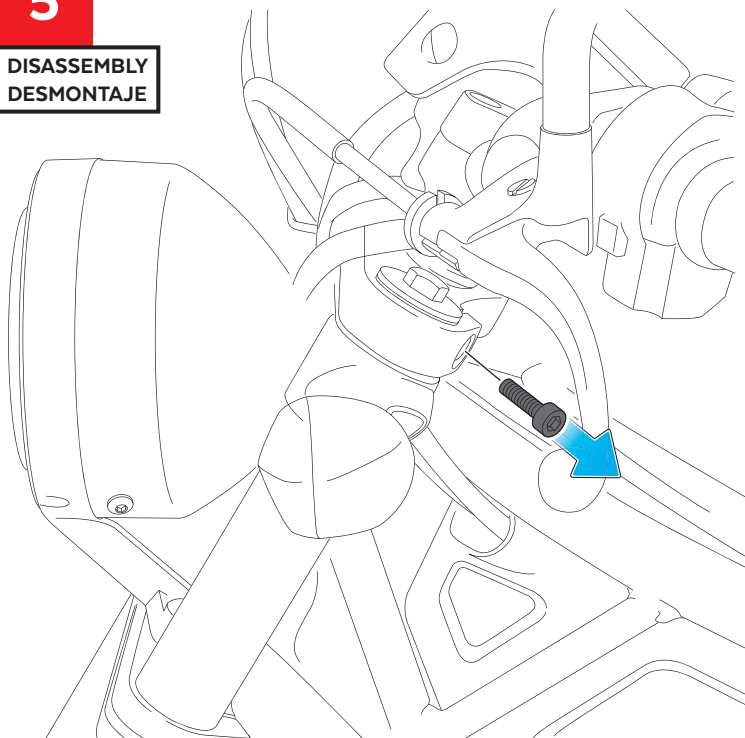
NO APRETAR
DO NOT TIGHTEN

HONDA REBEL CMX 300-500 '17- / S' 20-

INSTRUCCIONES DE MONTAJE - MOUNTING INSTRUCTIONS - MONTAGEANLEITUNG

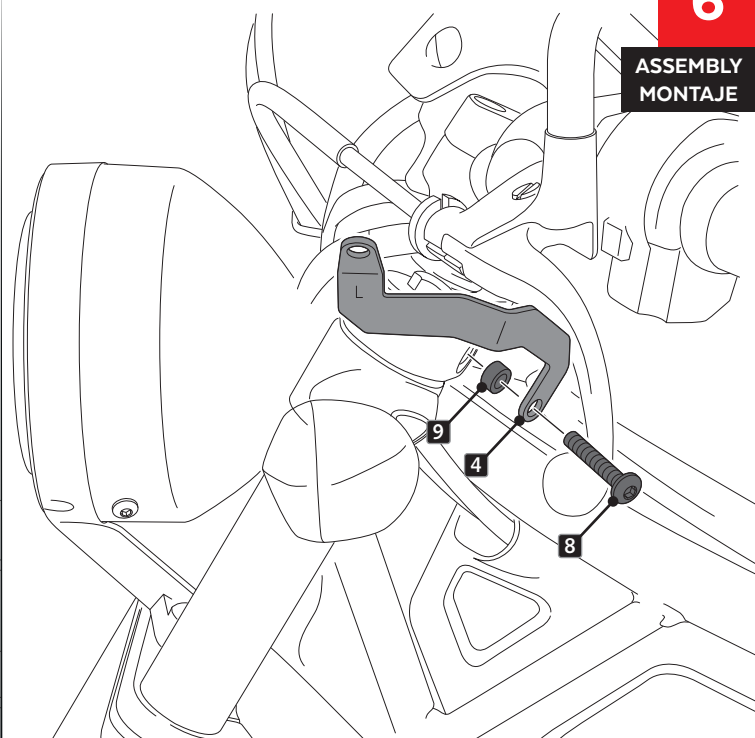
5

DISASSEMBLY
DESMONTAJE



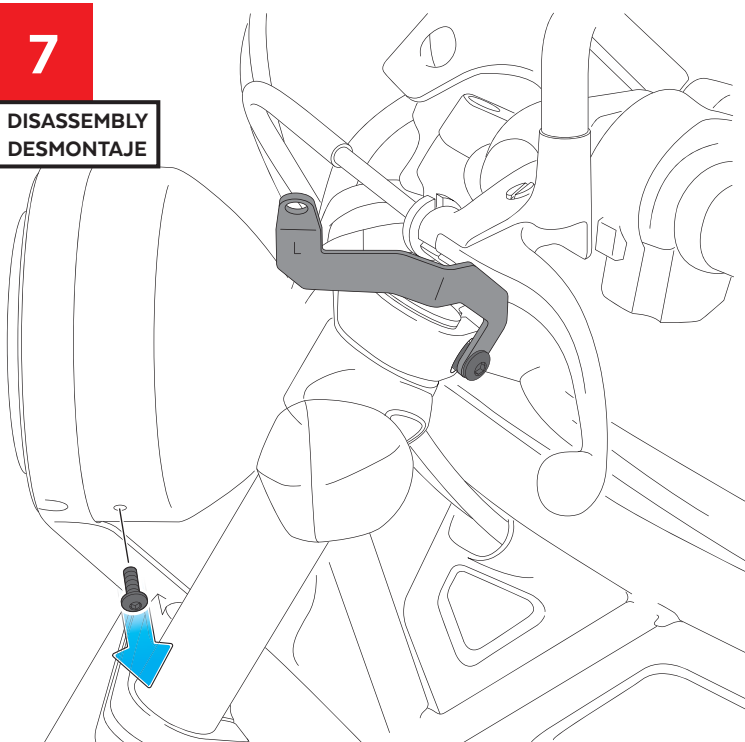
6

ASSEMBLY
MONTAJE



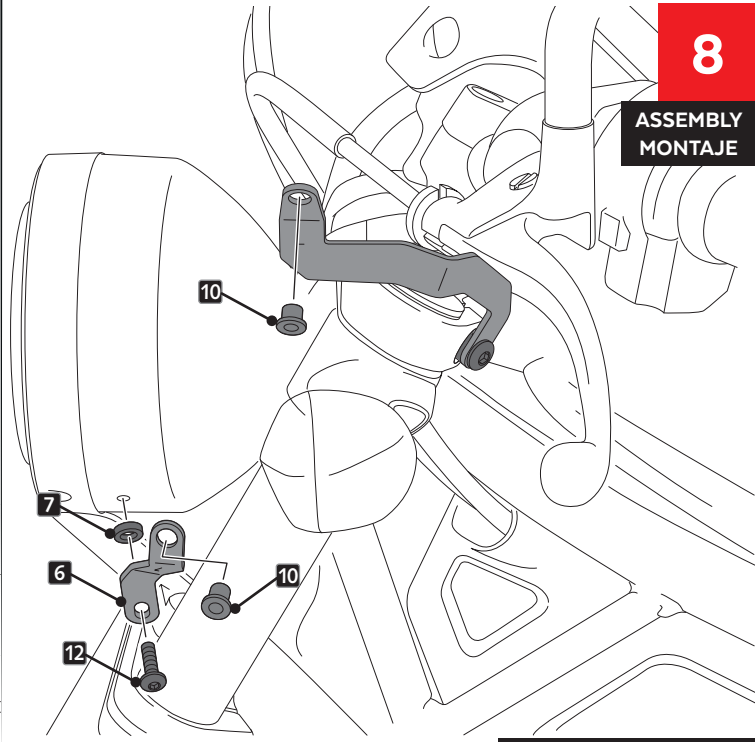
7

DISASSEMBLY
DESMONTAJE



8

ASSEMBLY
MONTAJE



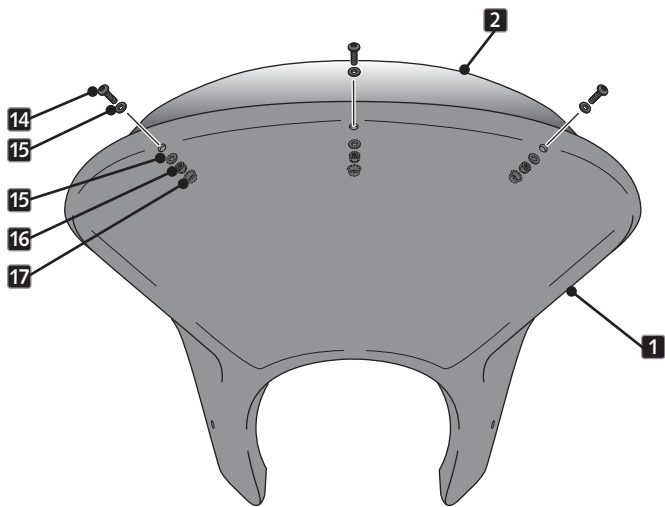
ID-12 NO APRETAR
DO NOT TIGHTEN

HONDA REBEL CMX 300-500 '17- / S' 20-

INSTRUCCIONES DE MONTAJE - MOUNTING INSTRUCTIONS - MONTAGEANLEITUNG

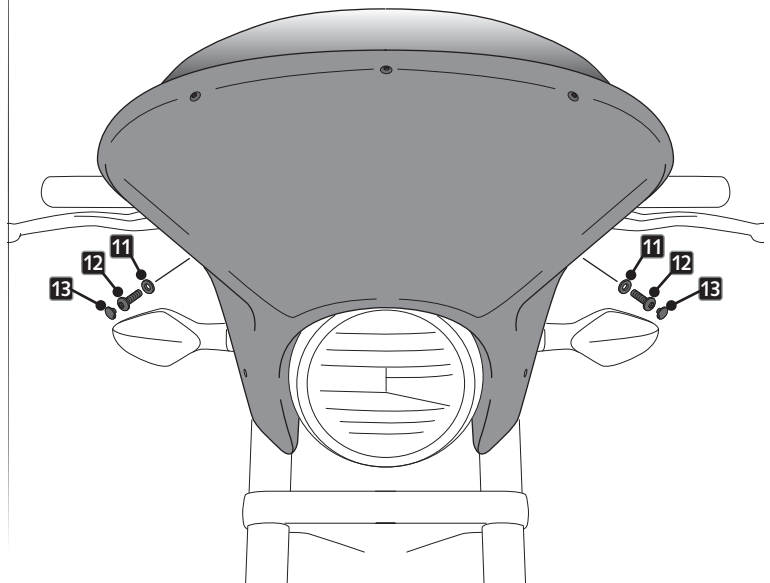
9

ASSEMBLY
MONTAJE



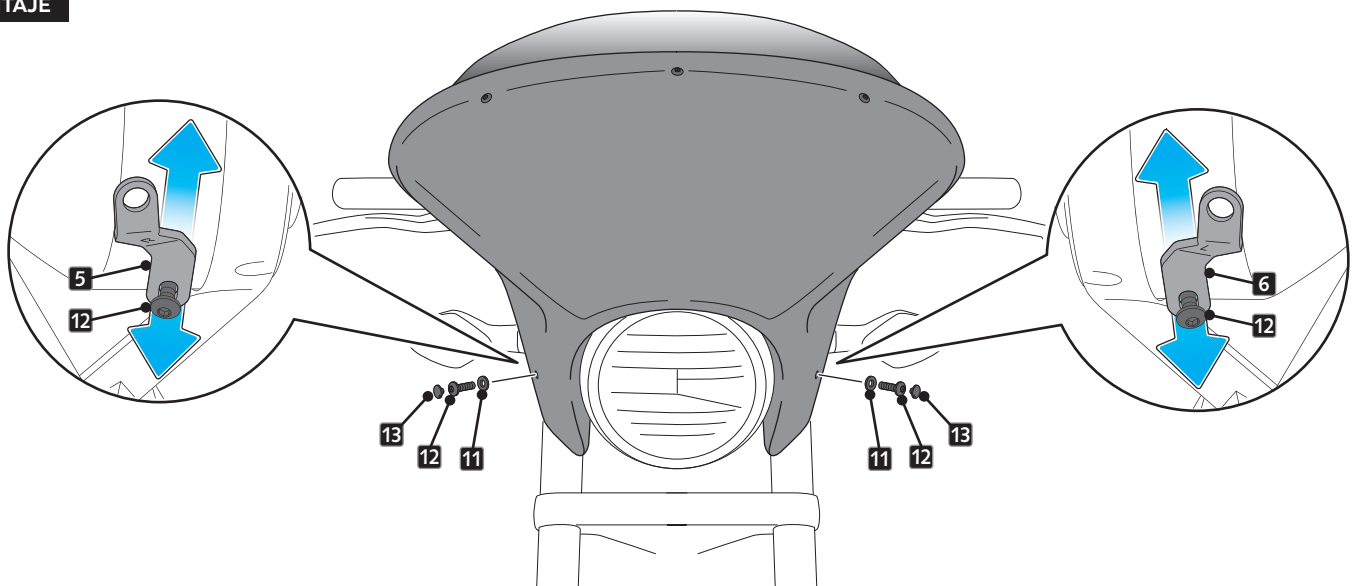
10

ASSEMBLY
MONTAJE



11

ASSEMBLY
MONTAJE



ID-12 AJUSTAR POSICIÓN SOPORTES Y APRETAR EL TORNILLO.
ADJUST POSITION SUPPORTS AND TIGHTEN ID-12 SCREW.