

# HARLEY DAVIDSON 1250 PAN AMERICA '21-

## M O U N T I N G I N S T R U C T I O N S

REF 20840

CÚPULA TOURING / TOURING SCREEN



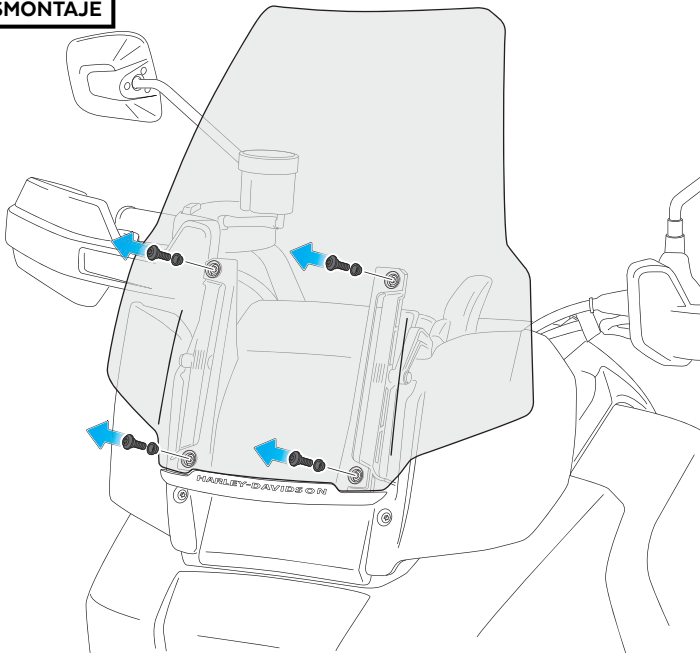
ID	PIEZA/PART	DESCRIPCIÓN	DESCRIPTION	QTY	REF
1		Cúpula Touring	Touring screen	1	20840W/H/FM3
2		Tornillo especial M5x17 Long Hexagonal 20	M5x17 special screw Hexagonal lenght 20	2	TORNI-EM5---664
3		Tornillo especial M5x9 Long Hexagonal 12	M5x9 special screw Hexagonal lenght 12	2	TORNI-EM5---761
4		Arandela metálica M6 DIN 9021	M6 DIN9021 washer	4	ARANDPD9021-037
5		Silentblock Ø12xØ6x9	Ø12xØ6x9 Silentblock	4	AROPASACABLES-3
6		Casquillo con valona Ø12xØ6,8x7,3	Ø12xØ6,8x7,3 bush with flange	4	CASQUI-1A---750
7		Tornillo Allen M5x16 Ø11 ISO 7380	M5x16 Ø11 ISO 7380 allen screw	4	TORNI-I7380-493
8		Tapón tornillo M5 ISO 7380	M5 ISO 7380 screw cap	4	TAPON-----85

# HARLEY DAVIDSON 1250 PAN AMERICA '21-

INSTRUCCIONES DE MONTAJE - MOUNTING INSTRUCTIONS - MONTAGEANLEITUNG

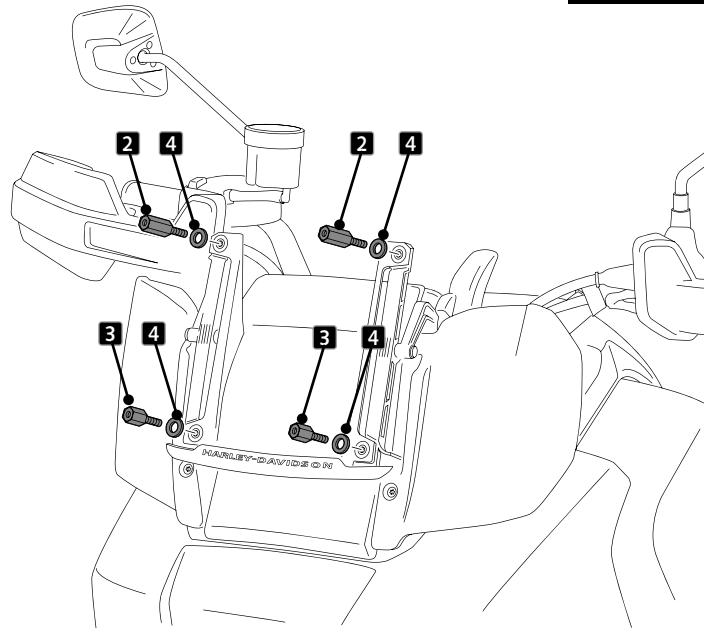
**1**

**DISASSEMBLY  
DESMONTAJE**



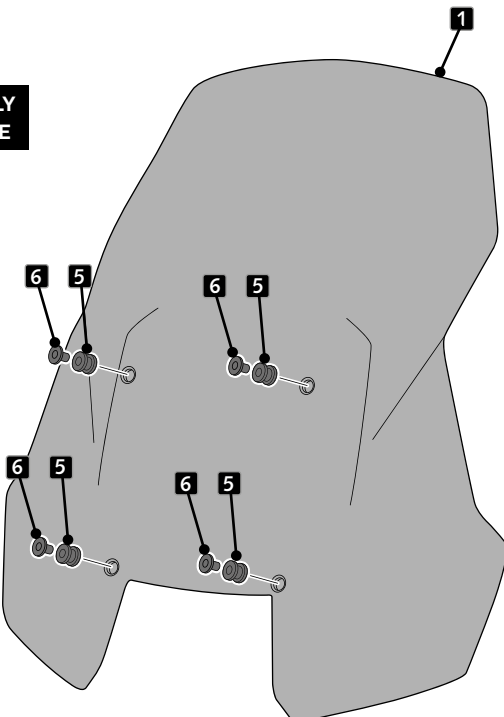
**2**

**ASSEMBLY  
MONTAJE**



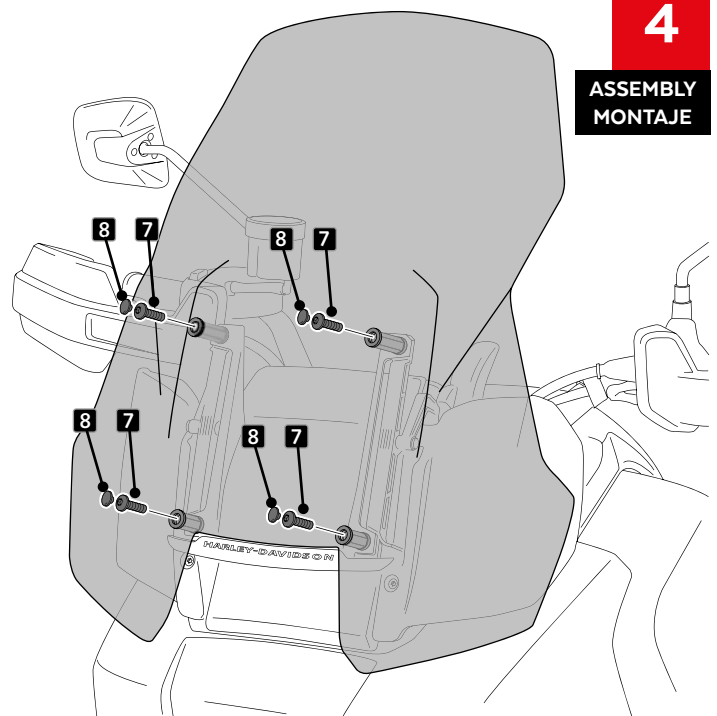
**3**

**ASSEMBLY  
MONTAJE**



**4**

**ASSEMBLY  
MONTAJE**



CÚPULA TOURING

REF 20840

20840F +100mm/+3,93in

20840W +100mm/+3,93in

OEM



470 mm

575 mm

